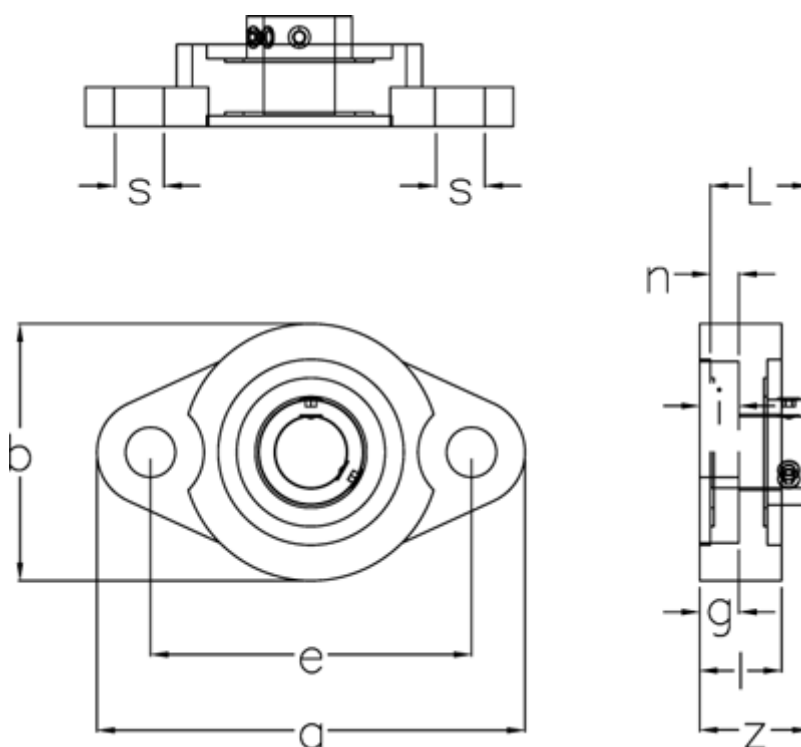


Article number: 5425061001

Description: 2 hole Flange Unit KFL001 for shaft $\varnothing 12\text{mm}$
Housing alu, bearing steel, extra small

Measures



a	= 63	l	= 11.5
b	= 38	L	= 14.5
Bearing	= K001	Nominal drive	= 4.0
Bolt size	= M6	s	= 7
e	= 48	Weight	= 0.08
g	= 5.5	z	= 16.0
Housing	= FL001		
i	= 5.5		